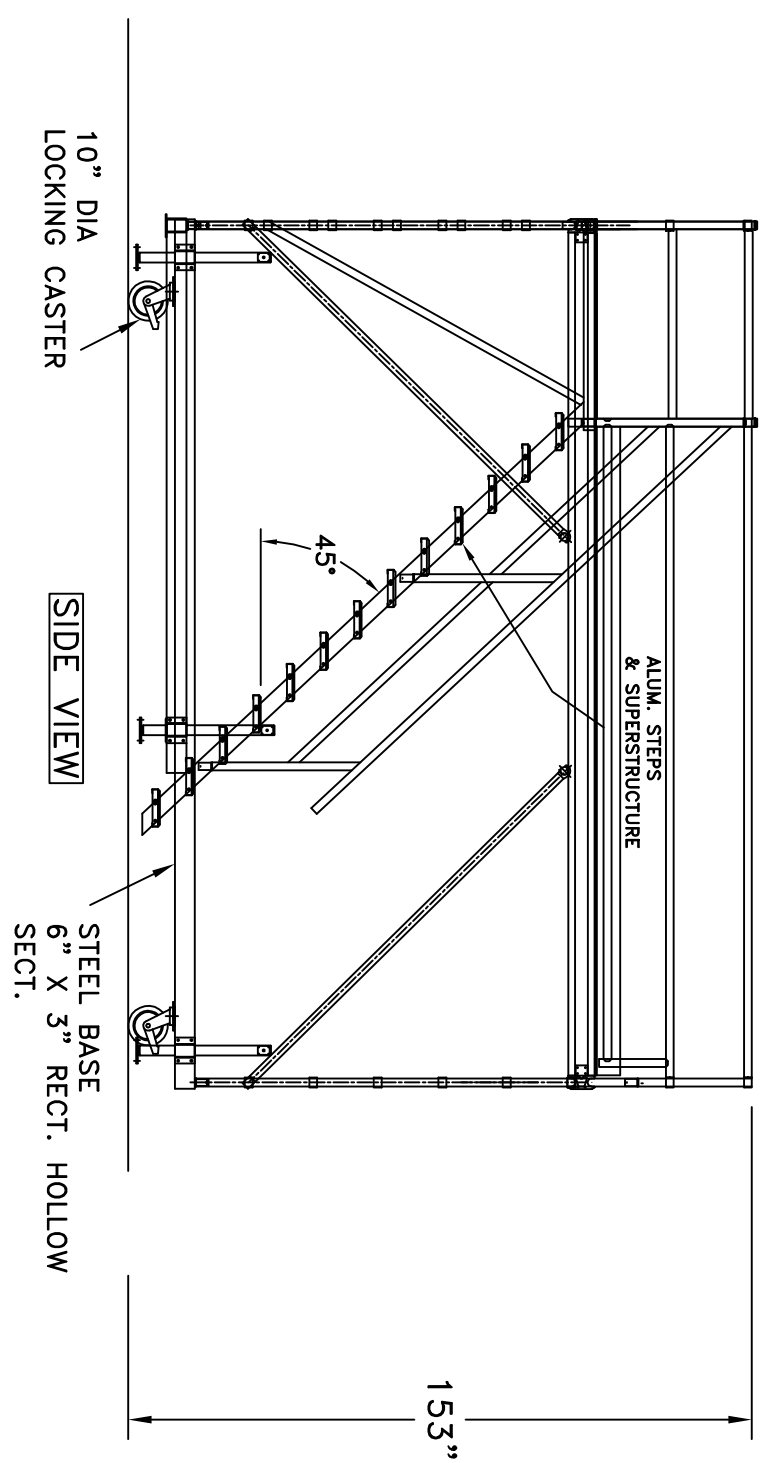


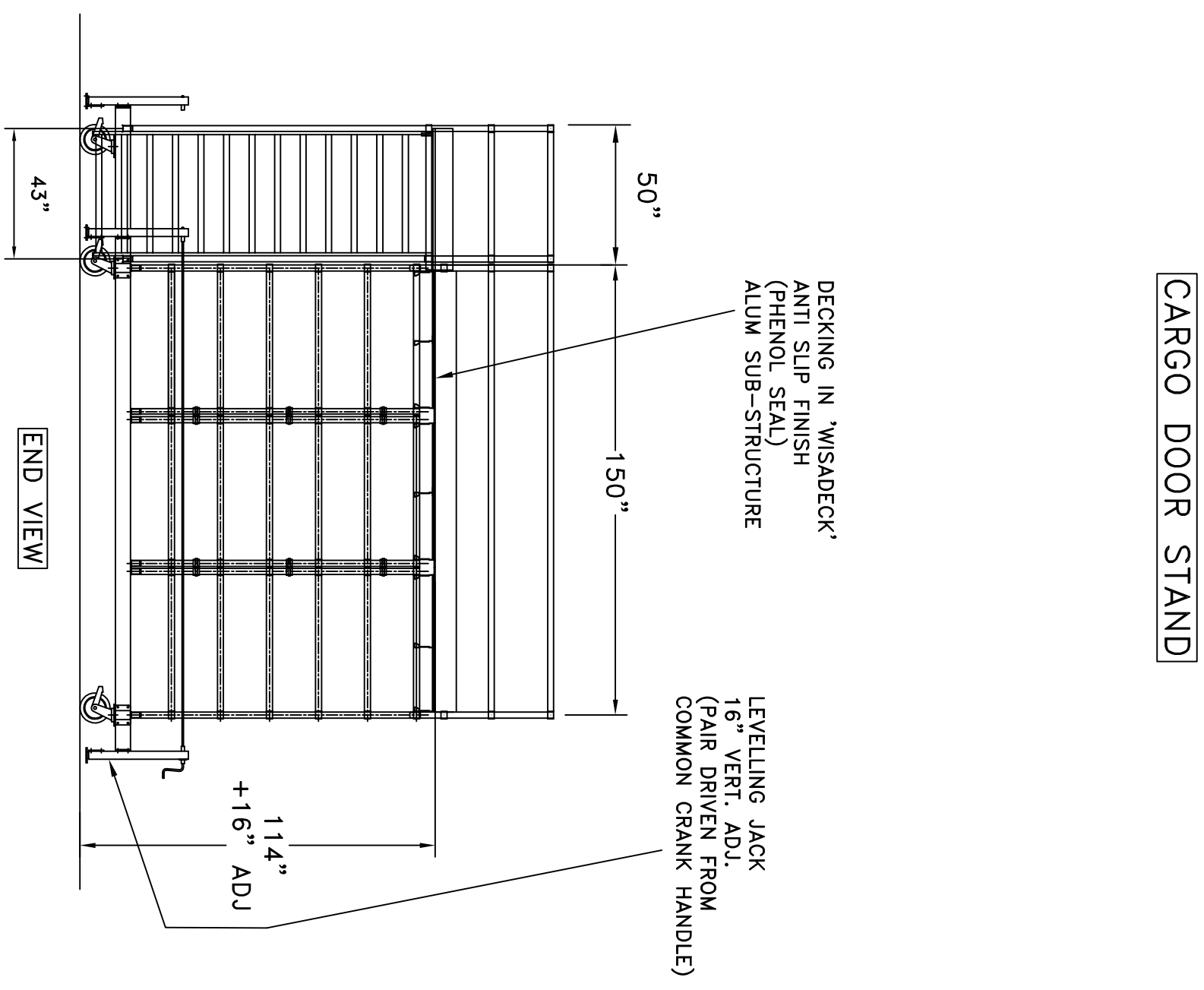
PLAN VIEW



SIDE VIEW

10" DIA LOCKING CASTER

STEEL BASE 6" X 3" RECT. HOLLOW SECT.



END VIEW

CARGO DOOR STAND

DECKING IN 'WISADECK'  
ANTI SLIP FINISH  
(PHENOL SEAL)  
ALUM SUB-STRUCTURE

LEVELLING JACK  
16" VERT. ADJ.  
(PAIR DRIVEN FROM  
COMMON CRANK HANDLE)

114"  
+16" ADJ

THIS DRAWING IS THE PROPERTY OF INSTANT Upright Ltd. YOU MAY NOT POSSESS, USE, COPY OR DISCLOSE THIS DOCUMENT OR ANY INFORMATION IN IT, FOR ANY PURPOSE, INCLUDING THE DESIGN AND MANUFACTURE OF PARTS FOR SALE, WITHOUT INSTANT Upright's EXPRESS WRITTEN PERMISSION. NEITHER RECEIPT NOR POSSESSION OF THIS DOCUMENT ALONE, FROM ANY SOURCE, CONSTITUTES SUCH PERMISSION AND/OR FAILURE TO COMPLY MAY RESULT IN CRIMINAL AND/OR CIVIL LIABILITY.

TOLERANCES		DRAWN		DATE		MATERIAL	
0	- 6mm : ±0.1	AM	25JUN09	BOEING			
6	- 30mm : ±0.2	SCALE	CHK	CARGO DOOR STAND			
30	- 120mm : ±0.3						
120	- 315mm : ±0.5						
315	- 500mm : ±0.8						
>	500mm : ±1.0						
ANGLE : ±1°		INSTANT UPRIGHT		INSTANT UPRIGHT, UNIT S1		NUMBER	
		PARK WEST DUBLIN 12				SHT 3	